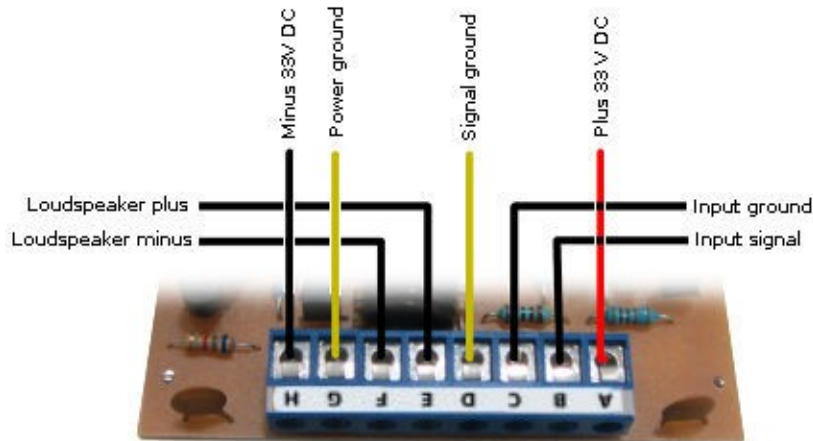
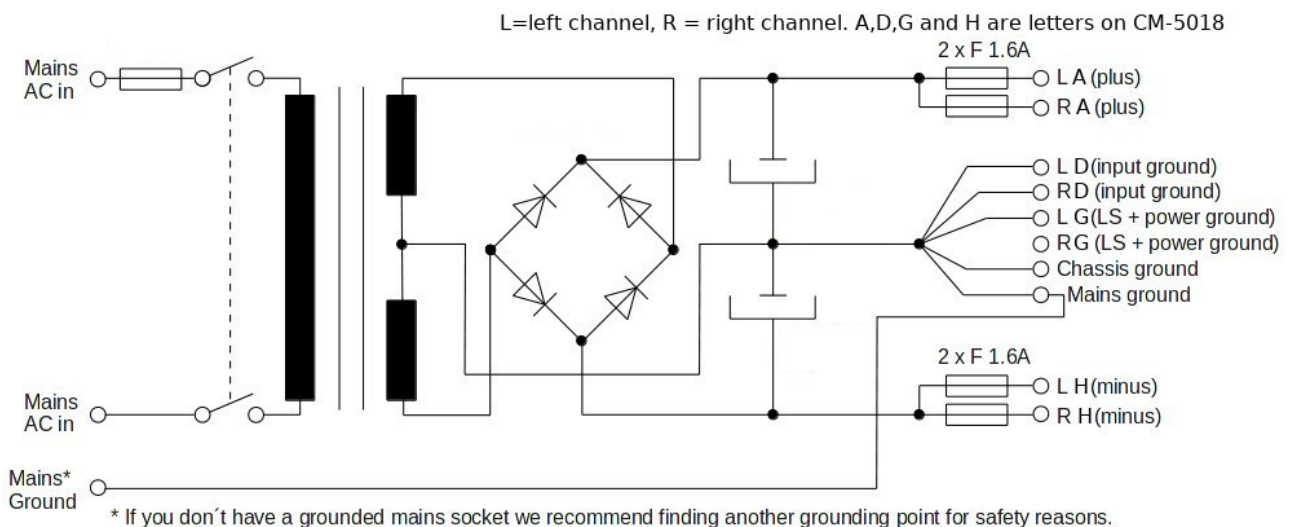
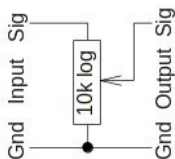


Power supply connection for CM-5018 amplifier modules



- A. Plus 30-35V with 8 Ohm speakers, plus 20-23V with 4 Ohm speakers
- B. Input signal
- C. Input ground
- D. Signal ground from PSU
- E. Loudspeaker plus
- F. Loudspeaker minus
- G. Power (and loudspeaker) ground from PSU
- H. Minus 30-35V with 8 Ohm speakers, minus 20-23V with 4 Ohm speakers

Volume control (one left, one right) + power supply for 2 x CM-5018



Diodes: $\geq 5A$, $\geq 100V$. Capacitors: $\geq 6600 \mu F$, $\geq 50 VDC$
 Primary fuse: T 1.6 A at 220-240 VAC, T3.2 A at 110-130 VAC (T = slow-blow)